

VFF-TC Tank bottom Butterfly valve

The AerInox stainless steel butterfly valve VFF-TC are on/off routing tank bottom valves, available in manual/pneumatically operated. Due to their large opening areas, minimize turbulence, offer low pressure drop and provide gentle treatment of low and medium viscosity product. The handle mechanically locks the valve in its open or closed position.

The valve consists of one standard valve body half, welding plate, valve disc/stem, and seal rings, assembled by means of bolts
Special executions available on request :

Welding plate with radius or bigger different thickness, extended tube for orbital welding.

For special applications, we manufactures special adaptor plates, when replacing a conventional flush tank valve, with a flush tank butterfly valve and also to ship the plate independently from the valve, in order to accommodate customer requests.

PRESSURE / TEMPERATURE RATING

Min / Max working pressure Vacuum / 10bar g
Min / Max working temperature 0°C / 150°C

SEAT MATERIAL

White silicone complying with FDA guidelines, EPDM, Viton

OPERATOR

lockable griper handle 12 positions (quarter-turn open/close)

SURFACE FINISH

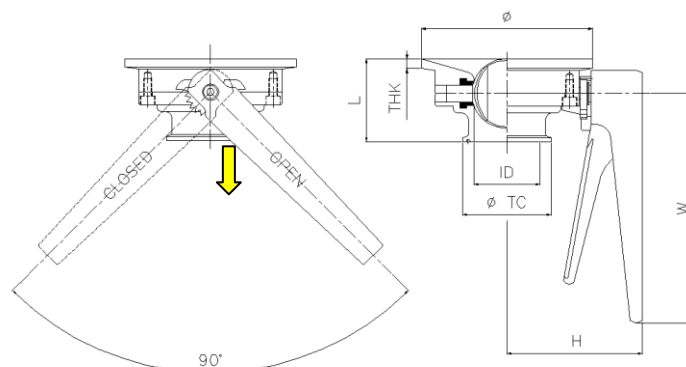
Internal body surfaces 0,5 micron Ra or better
External mirror polished

END CONNECTIONS

Interchangeable end caps are available
machined from bar, clamped ASME-BPE, butt weld OD



VFF-TC Standrad Dimensions



Dimensions table

CODE	INCH	DN	øTC	ID	ø	L	Thk	H	W
VFF-100AJ-...MMP-11A	1"	25	50,4	22,1	100	57,5	7	90	160
VFF-150AM-...MMP-11A	1" ½	40	50,4	34,8	106	60	7	92	160
VFF-200AN-...MMP-11A	2"	50	64	47,5	124	60	7	102	160
VFF-250AO-...MMP-11A	2" ½	65	77,5	60,2	130	60	7	107	160
VFF-300AP-...MMP-11A	3"	80	91	72,9	145	60	7	113	160
VFF-400AR-...MMP-11A	4"	100	119	97,6	175	70	10	121	160

ANTISTATIC DEVICE (optional on request)

To eliminate possibility of static electrical charges within the valve, a grounding connection is set in the stem to ensure electrical continuity for the entire butterfly valve.

For equipment in compliance with the European Directive 94/9/CE ATEX

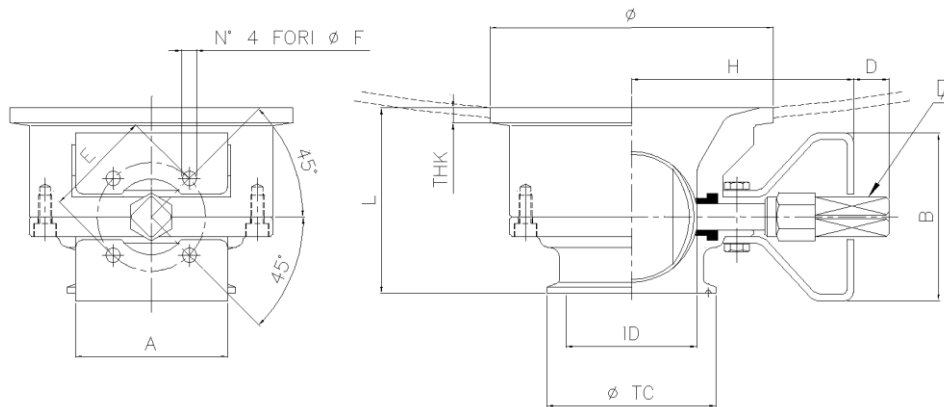


Specific and supplementary mark according to Directive 94/9/CE ATEX indicating in order the specific symbol for the explosive. The unit number and the category to which it belong, the type of atmosphere in which the product can be used and temp. class.
Declaration CE of conformity according to evaluation form "A" (ENCLOSURE X European Directive 94/9/EC ATEX)

Aerre Inox s.r.l.

26010 FIESCO Via Gerola n.4 -CREMONA- Italy
Tel. +39.0374.370828 Fax +39.0374.370833
e-mail : info@aerreinox.it http : www.aerreinox.it

VFFP-TC Pneumatically Actuated Dimensions



Dimensions table

CODE	INCH	DN	ØTC	ID	Ø	L	Thk	H	W
VFF-100AJ-...W-11A	1"	25	50,4	22,1	100		7		
VFF-150AM-...W-11A	1" ½	40	50,4	34,8	106		7		
VFF-200AN-...W-11A	2"	50	64	47,5	124	85	7		
VFF-250AO-...W-11A	2" ½	65	77,5	60,2	130	85	7		
VFF-300AP-...W-11A	3"	80	91	72,9	145		7		
VFF-400AR-...W-11A	4"	100	119	97,6					Available on request only



Dimensions table

CODE	A	B	C	D	E	F	ISO	□	Nm
Actuator type	SR-DA	SR-DA	SR-DA	SR-DA	SR-DA	SR-DA	SR-DA	SR-DA	@
VFF-100AJ-...W-11A	50	55	-	7	36	6	F03	9	15
VFF-150AM-...W-11A	50	60	-	8	36	6	F03	9	15
VFF-200AN-...W-11A	60-50	72-60	-	11,5-8,5	42-36	6	F04-F03	11-9	30
VFF-250AO-...W-11A	70-60	77-72	-	13-10	50	7	F05	14-11	60
VFF-300AP-...W-11A	70-60	77-72	-	13-10	50	7	F05	14-11	60

Get the information you need and more at : info@aerinox.it

In the interests of development and improvement of the product, we reserve the right to change the specifications without prior notice.

Aer Inox s.r.l.

26010 FIESCO Via Gerola n.4 -CREMONA- Italy
Tel. +39.0374.370828 Fax +39.0374.370833
e-mail : info@aerinox.it http : www.aerinox.it